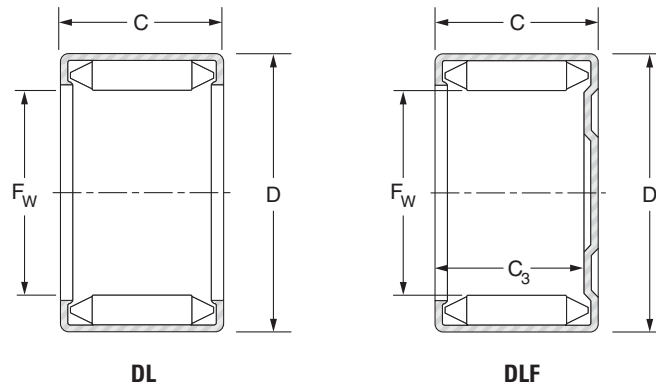


Needle bushes, full complement, retained

open series DL

closed end series DLF



Shaft Ø mm	Designation	Fw mm	D mm	C mm	C ₃ min. mm	Load Ratings kN		Speed limit min ⁻¹		Weight kg	Internal ring
						Dynamic	Static	Grease	Oil		
						C	C ₀				
20	DL 20 12	20	26	12	–	10.2	19.5	10000	15000	0.015	JR15x20x12
	DLF 20 12	20	26	12	9.7	10.2	19.5	10000	15000	0.017	JR15x20x12
	DL 20 16	20	26	16	–	16.0	30.5	10000	15000	0.020	JR17x20x16
	DLF 20 16	20	26	16	13.7	16.0	30.5	10000	15000	0.022	JR17x20x16
22	DL 22 16	22	28	16	–	17.0	33.0	8800	13500	0.022	JR17x22x16
	DLF 22 16	22	28	16	13.7	17.0	33.0	8800	13500	0.025	JR17x22x16
25	DL 25 16	25	33	16	–	16.0	32.5	7800	12000	0.035	JR20x25x17
	DLF 25 16	25	33	16	13.7	16.0	32.5	7800	12000	0.039	JR20x25x17
	DL 25 20	25	33	20	–	22.8	46.0	7800	12000	0.043	JR20x25x20.5
	DLF 25 20	25	33	20	17.7	22.8	46.0	7800	12000	0.047	JR20x25x20.5
28	DL 28 20	28	36	20	–	24.5	52.0	7200	11000	0.047	JR22x28x20.5
	DLF 28 20	28	36	20	17.7	24.5	52.0	7200	11000	0.051	JR22x28x20.5
30	DL 30 16	30	38	16	–	21.7	46.5	6500	10000	0.040	JR25x30x17
	DLF 30 16	30	38	16	13.7	21.7	46.5	6500	10000	0.045	JR25x30x17
	DL 30 20	30	38	20	–	26.0	56.0	6500	10000	0.050	JR25x30x20.5
	DLF 30 20	30	38	20	17.7	26.0	56.0	6500	10000	0.055	JR25x30x20.5
	DL 30 25	30	38	25	–	35.5	76.0	6500	10000	0.063	JR25x30x26
	DLF 30 25	30	38	25	22.7	35.5	76.0	6500	10000	0.068	JR25x30x26
35	DL 35 16	35	43	16	–	24.0	54.0	5500	8500	0.046	JR30x35x17
	DLF 35 16	35	43	16	13.7	24.0	54.0	5500	8500	0.053	JR30x35x17
	DL 35 20	35	43	20	–	29.0	65.0	5500	8500	0.057	JR30x35x20.5
	DLF 35 20	35	43	20	17.7	29.0	65.0	5500	8500	0.064	JR30x35x20.5
40	DL 40 16	40	48	16	–	26.5	62.0	4900	7500	0.051	JR35x40x17
	DLF 40 16	40	48	16	13.7	26.5	62.0	4900	7500	0.061	JR35x40x17
	DL 40 20	40	48	20	–	36.0	84.0	4900	7500	0.064	JR35x40x20.5
	DLF 40 20	40	48	20	17.7	36.0	84.0	4900	7500	0.074	JR35x40x20.5